

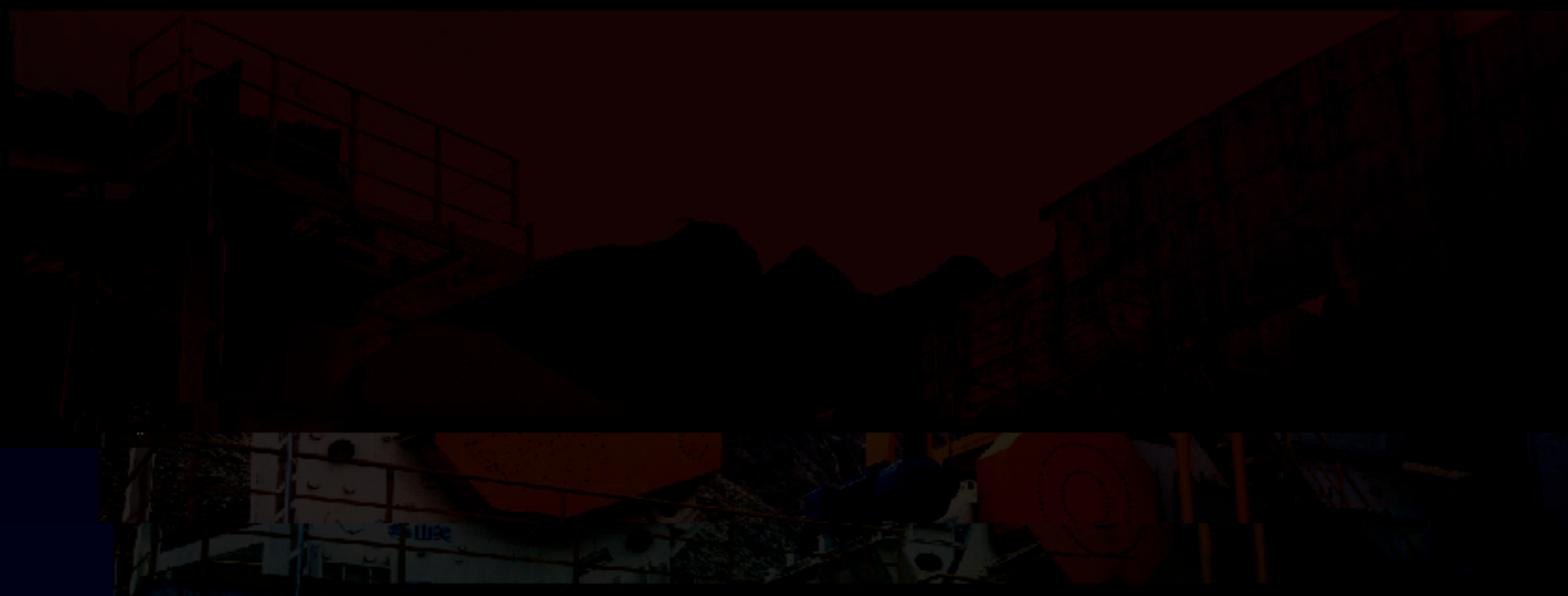


SANME



JC series Jaw Crusher

JC欧星系列颞式破碎机



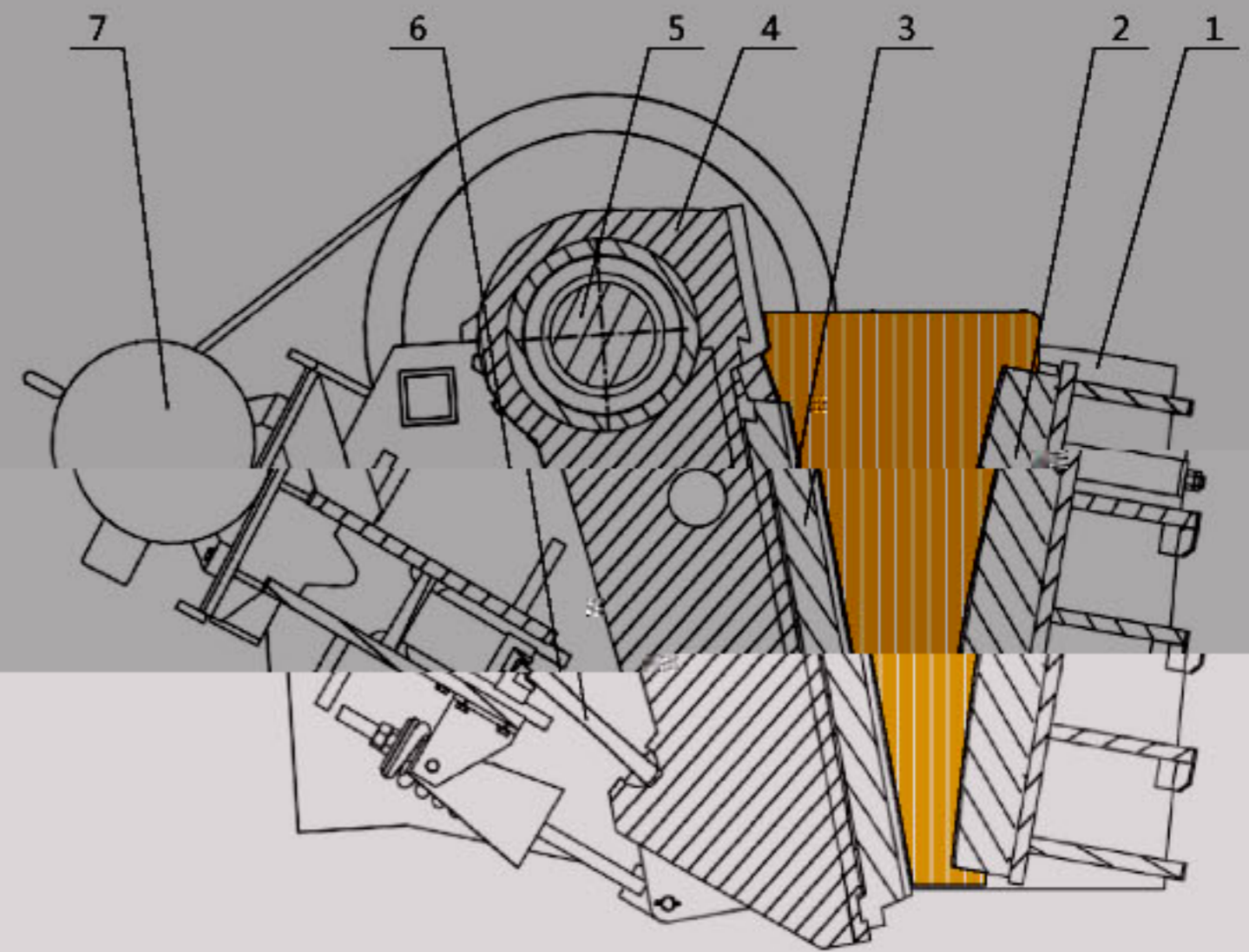
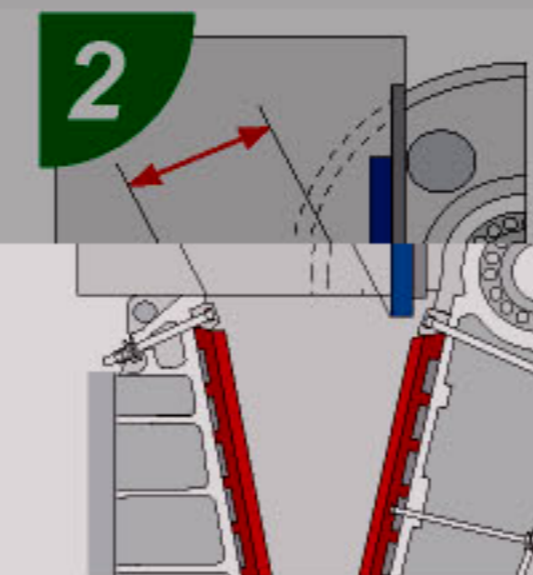
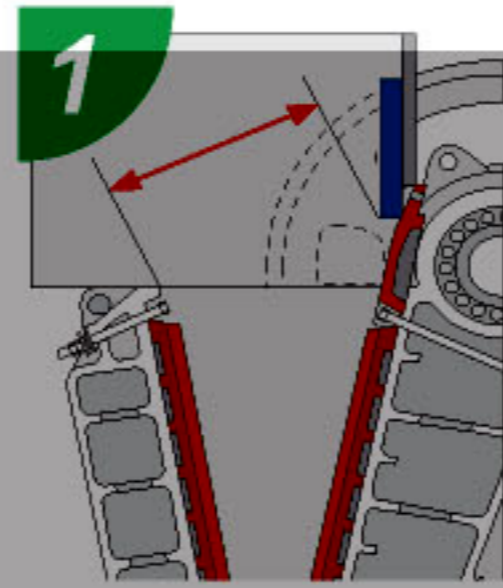
2

2015年
2016年
2017年
2018年
2019年
2020年
2021年
2022年
2023年
2024年
2025年
2026年
2027年
2028年
2029年
2030年

JC 欧星系列颞式破碎机是采用专业的破碎技术和研究成果，在几十年的颞式破碎机设计制造经验的基础上，采用有限元分析技术成功研发的新一代产品。

Features and Benefits

JC欧星系列颚式破碎机主要特点



Comparison between JC Series and PE Series about feed opening

JC 系列与 PE 系列进料口的比较：

1. JC series Jaw Crusher
JC 系列颚式破碎机
2. PE series Jaw Crusher
PE 系列颚式破碎机

- 1、机架 Frame
- 2、固定颚板 Fixed Jaw Plate
- 3、动颚板 Movable Jaw Plate
- 4、动颚 Movable Jaw
- 5、偏心轴 Eccentric Shaft
- 6、肘板 Toggle
- 7、电机 Motor

1 Sturdy Structure

Two kinds of Frames: Welded and Packaged. Usually, Small and medium sized model adopts welded, large model adopts packaged. Welded frame adopts wide transitional round edge, significantly reducing the stress concentration, ensure the frame under equal strength. It owns the features of good impact resistance, low failure rate, bears same pressure, etc.

Packaged frame uses advanced modularization, no-welding frame structure design, high endurance strength and reliability. The whole set assembling design is convenient for the transporting and installation, especially suitable for installation of underground mine shaft, high altitude mine, as well as other narrow and difficult transporting place.

1、坚固的结构

机架分为焊接式和组装式两种：中小型规格一般采用焊接式，大型规格一般采用组装式。

焊接式采用大弧度过渡圆角、低应力区焊接方式，大大降低了应力集中，保证了机架在各方向强度的均衡，具有耐冲击性、受力均匀、低故障率等特点。

组装式采用模块化、无焊接框架结构设计，强度和可靠性高，同时整机组装式设计，运输、安装更加方便，特别适用于地下矿井、高海拔矿山等狭小、运输困难场所安装。

2 The optimized cavity design enables excellent material feeding capacity

The cavity is engineered in symmetrical "V" type, providing a good steep angle of the toggle plate and a long stroke, which enables a large size of feeding material, high output and better gradation also reduces wear on the jaw plate comparing with traditional PE Series Jaw Crushers.

2、优越的腔型设计，进料粒度大

采用对称“V”形腔设计，肘板大倾角、大冲程，比传统 PE 系列颚破进料粒度更大、产量更高、粒度更加均匀，颚板磨损降低。

3 Long Working Life of the Heavy-duty Movable Jaw Assembly

Heavy-duty Movable Jaw Assembly adopts heavy-duty eccentric shaft, high quality heavy-load rolling bearings and finite element software optimized movable jaw plate ensuring impact resistance and high stability of moving jaw assembly; labyrinth seal and centralized lubrication system guarantee the bearing lubrication oil is not contaminated and lubrication becomes more convenient. Therefore, the assembly can have a long working time and stability.

3、重型动颚总成经久耐用

重型动颚总成采用锻造的重型偏心轴、高质量重载滚动轴承、有限元软件优化的动颚体保证了动颚总成耐冲击性和稳定性高；迷宫式密封、集中润滑系统保证了轴承油脂不被污染、润滑更加便捷，使其运行时间更长。

4 Shield Design for the Movable Jaw

Heavy shield is installed above the movable jaw to avoid the material impact. It can effectively protect the movable jaw and its internal bearing from damaging.

4、动颚护板设计

动颚上方安装了重型护板，可避免物料冲击，有效保护动颚体及其内部轴承不受损坏。

5 Overall Bearing Support

Overall cast steel bearing housing fully compatible with the frame, avoiding the combined bearing housing has a unnecessary radical load on the bearing during the fastening process.

5、整体轴承座

整体铸钢轴承座结构保证与机架完全配合，使轴承运行更加平稳，避免了组合式轴承座对轴承的冲击。

6 Convenient Discharge Setting Adjustment

6 方便快捷的排矿口调整

7 Integrated Motor Installation

7、一体化电机安装

8 Vibration Absorption Design

8、减振安装设计



Technical Data

设备技术参数

型号 Model	有效进料口尺寸 Size of Feed Opening(mm)	排料口调整范围 Discharge Range(mm)	处理能力 Capacity(t/h)	电机功率 Motor Power(kw)	重量(带护罩、不含电机) Weight (with guard, excluding motor)(kg)
JC231	510×800	40-150	50-250	55-75	9485
JC340	600×1020	60-175	85-300	75-90	16459
JC3540	650×1060	110-225	120-400	75-90	16932
JC440	760×1020	70-200	120-520	90-110	28020
JC443	850×1100	80-215	170-625	132-160	34756
JC549	950×1250	110-250	260-810	160-200	51236
JC549II	1000×1250	120-300	330-900	160-200	51456
JC5149	1050×1250	160-300	350-900	132-160	51673
JC555	1070×1400	125-250	360-920	160-200	59603
JC5155	1170×1400	225-350	600-1100	160-200	61118
JC649	1100×1250	125-280	385-920	160-200	57193
JC659	1200×1500	150-350	400-1200	200-250	92174
JC663	1200×1600	150-350	500-1450	250-355	92668
JC759	1300×1500	150-350	480-1300	220-280	71485
JC771	1500×1800	150-350	600-1800	315-400	125644
JC783	1500×2100	175-450	800-2700	400-500	145152

Note: the data is sampled according to on-site operation conditions.

The closed side setting is used for production according to applications and production requirements. For detailed information about the applications of the crusher, please consult Sanme.

The above figures show the output and capacity of the crusher for processing medium and hard materials with bulk density of 1.6t/m³. The materials can readily enter the crushing chamber without bridging, the minimum value will be used with feeding material in case of eliminating fines(smaller than crusher setting), and maximum value will be used for feeding materials including fines. The capacity may vary d

注：该数据根据当地使用情况采集获得。

根据用途和生产要求调节紧边排料口。欲了解破碎机在具体应用中的性能，请与山美工程师联系。

以上数据所表示的破碎机产量，处理能力为加工中硬物料、破碎物料松散密度为 1.6t/m³ 时的数据。给料能够顺利进入破碎腔，无架桥卡堵现象。给料剔除小于排料口细料时取小值，含细料时取大值，产量可能随给料方式和物料性质诸如粒度组成、含水含泥量、松

